

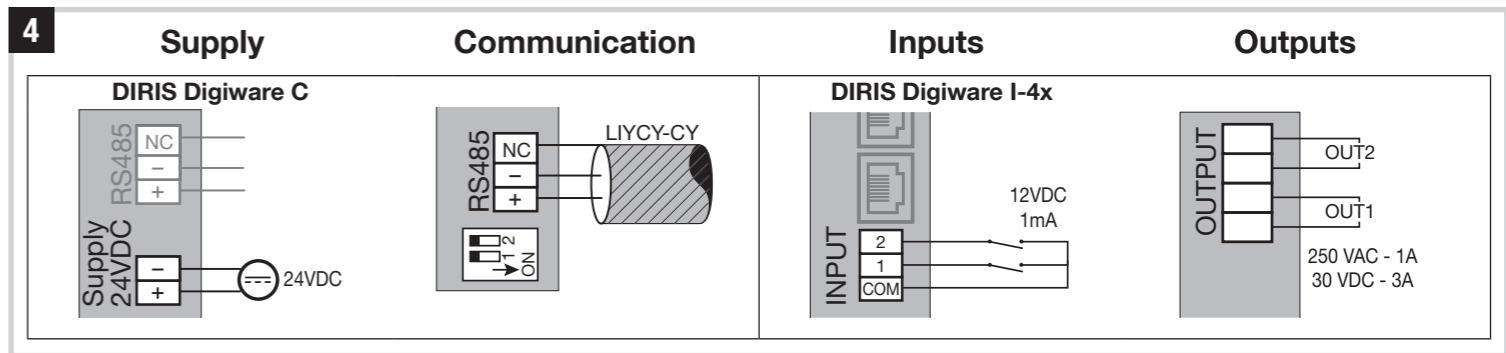
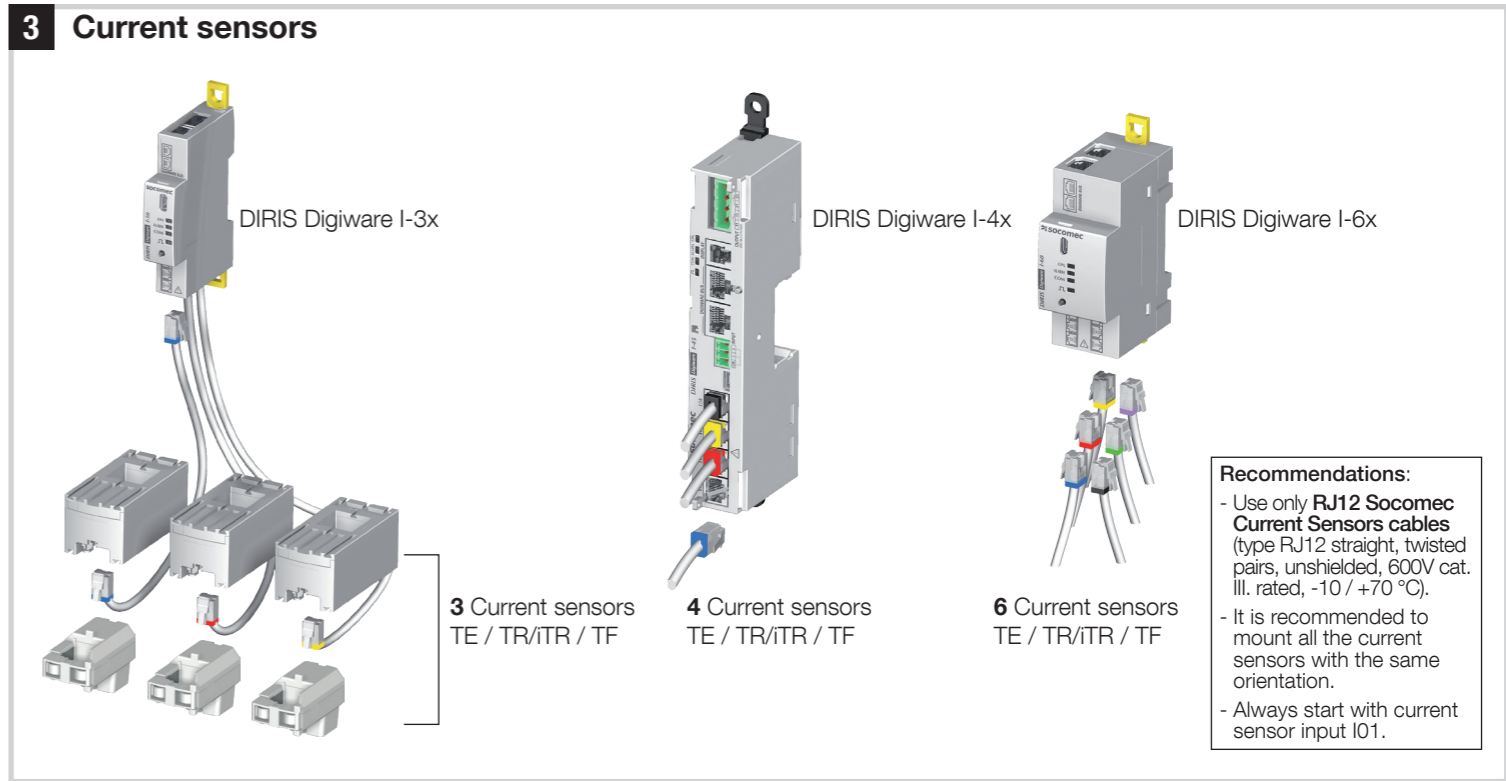
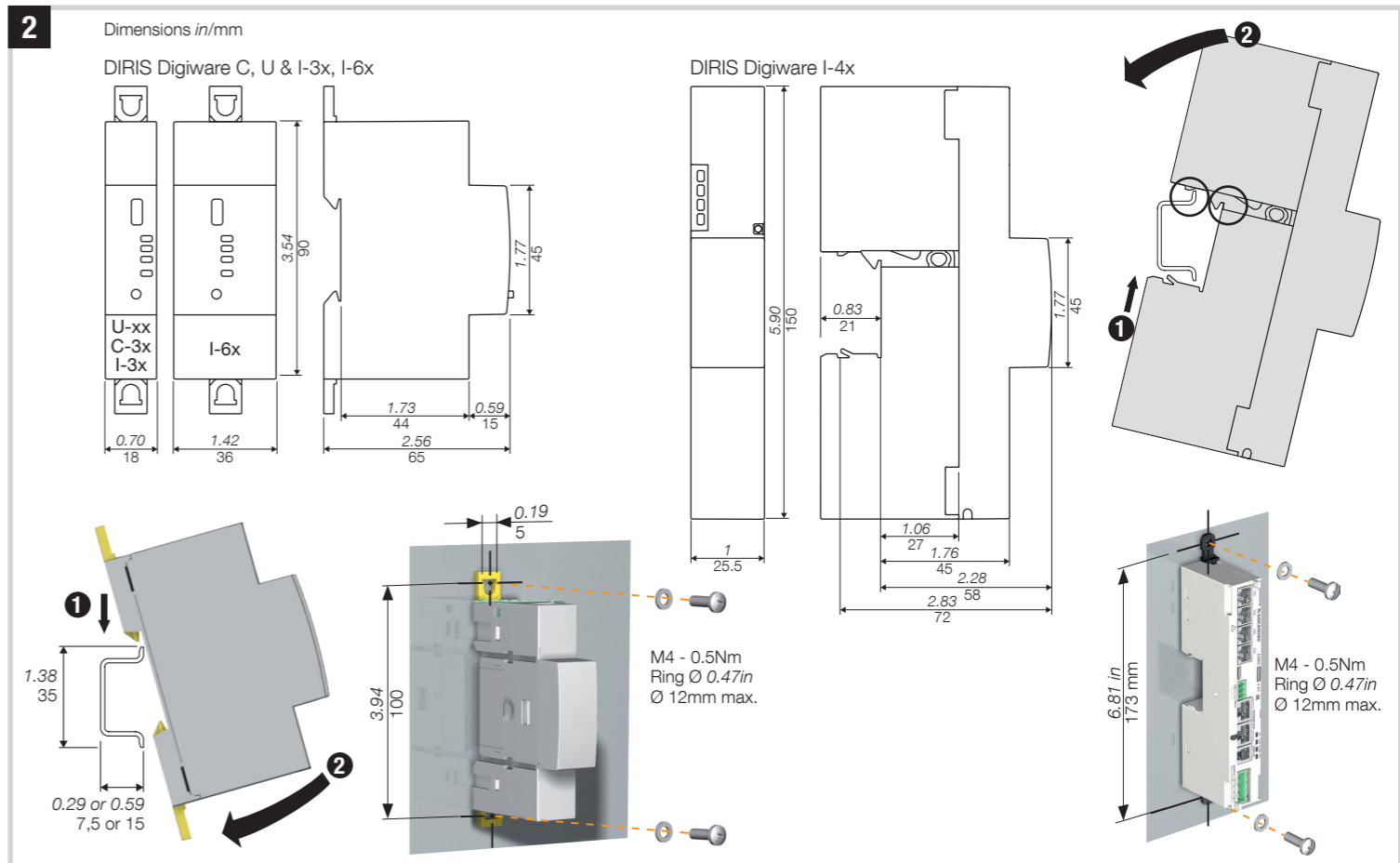
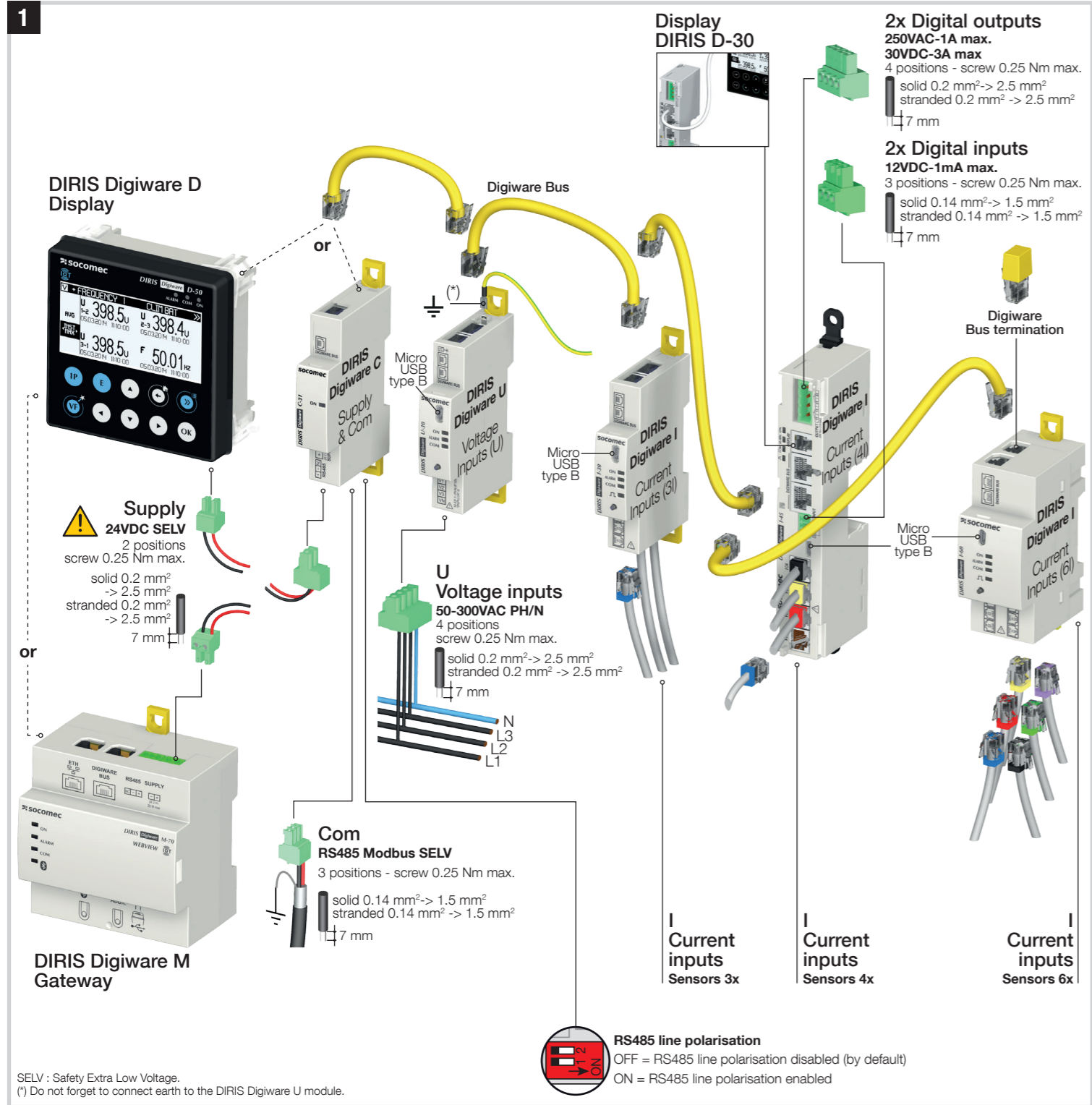
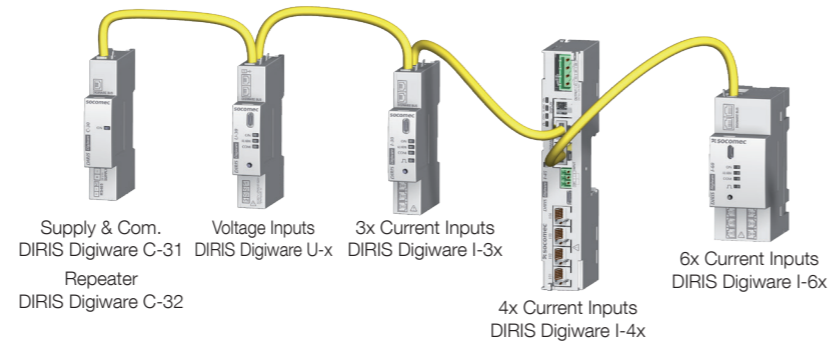


DIRIS Digiware

POWER MONITORING SYSTEM
FOR ELECTRICAL INSTALLATIONS



QUICK START EN



5 Main network connections and loads

DIRIS Digiware I-3x

Each current input setting is individual, see below some examples:



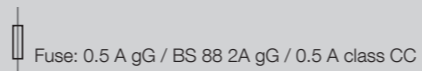
Current sensor



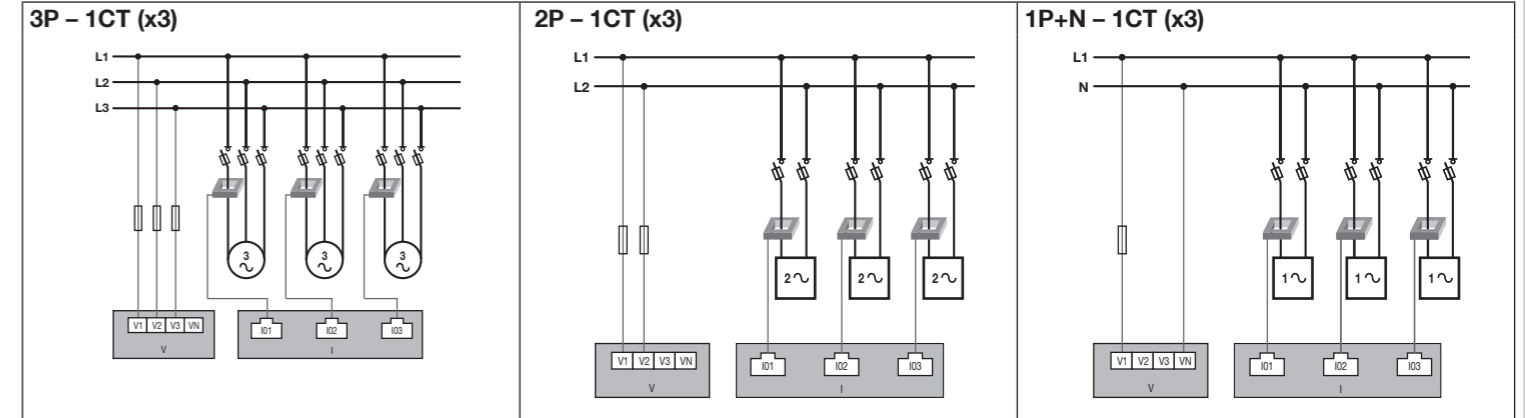
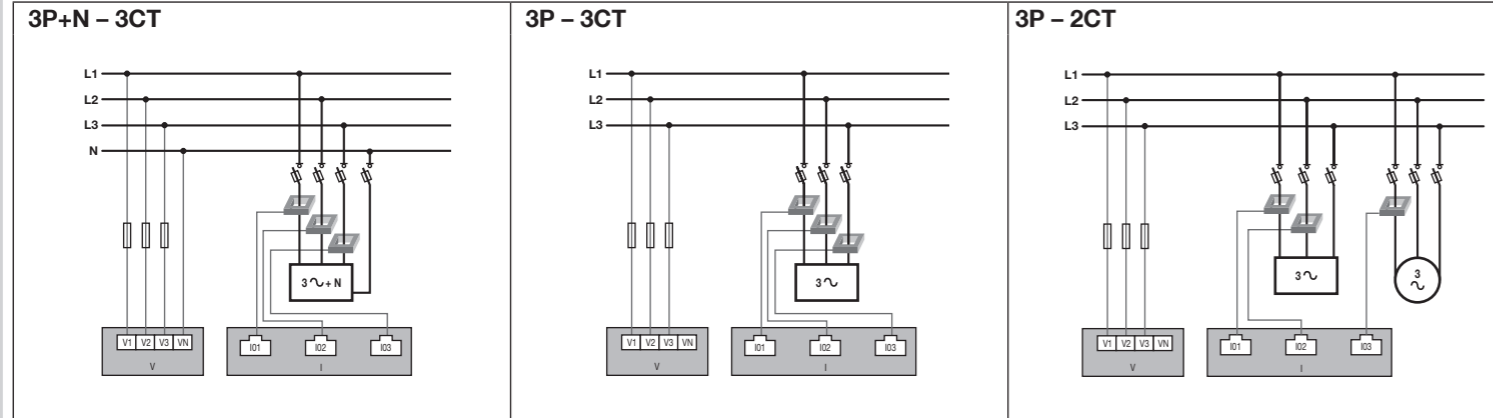
Balanced load



Unbalanced load



Fuse: 0.5 A gG / BS 88 2A gG / 0.5 A class CC



Main network connections and loads

DIRIS Digiware I-4x

Each current input setting is individual, see below some examples:



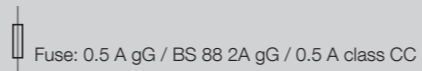
Current sensor



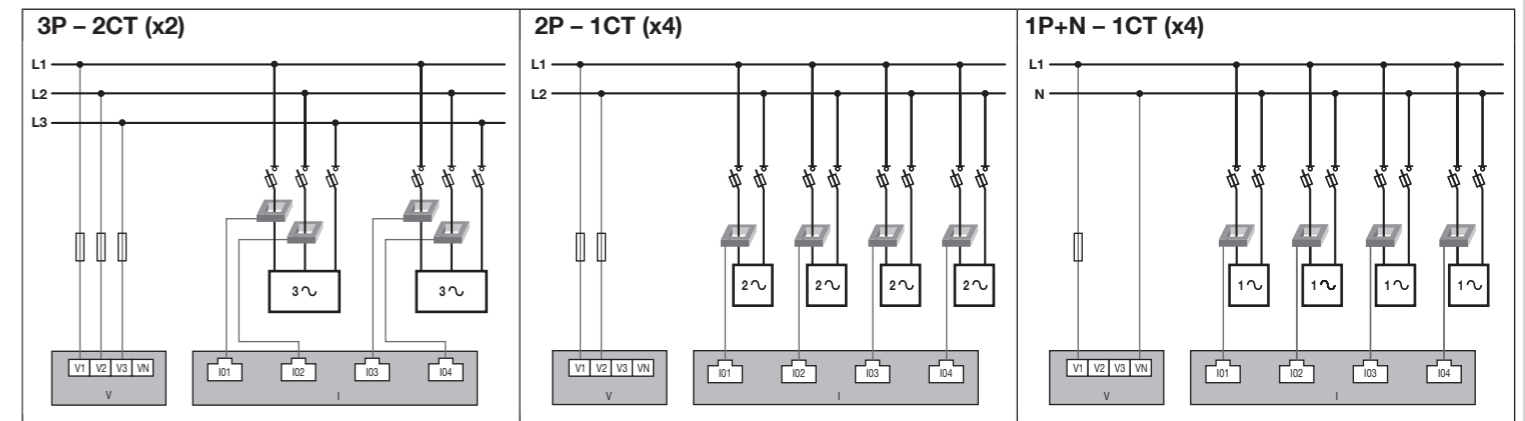
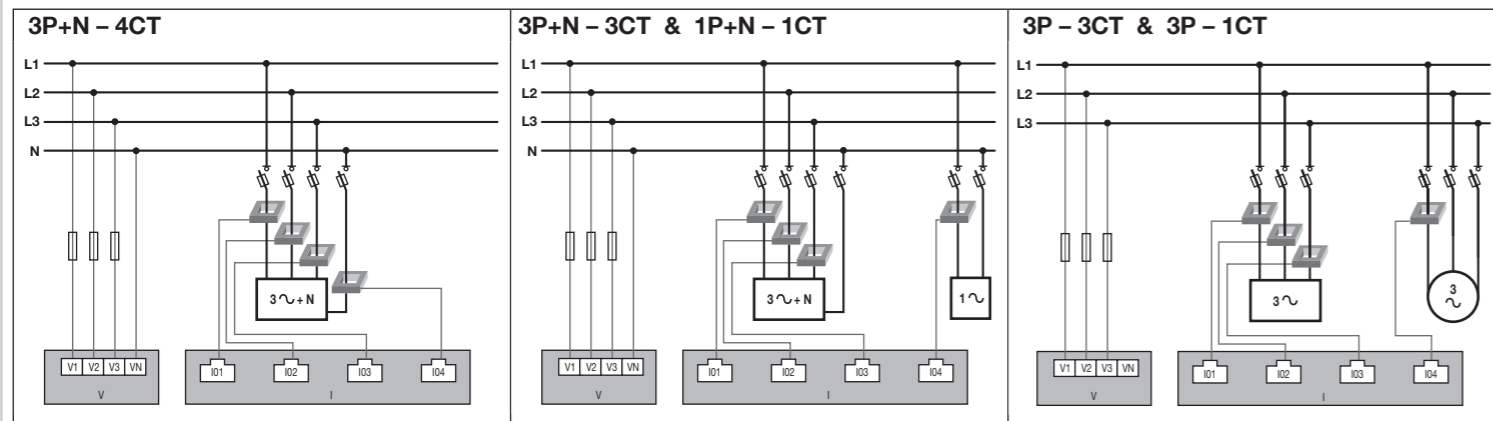
Balanced load



Unbalanced load



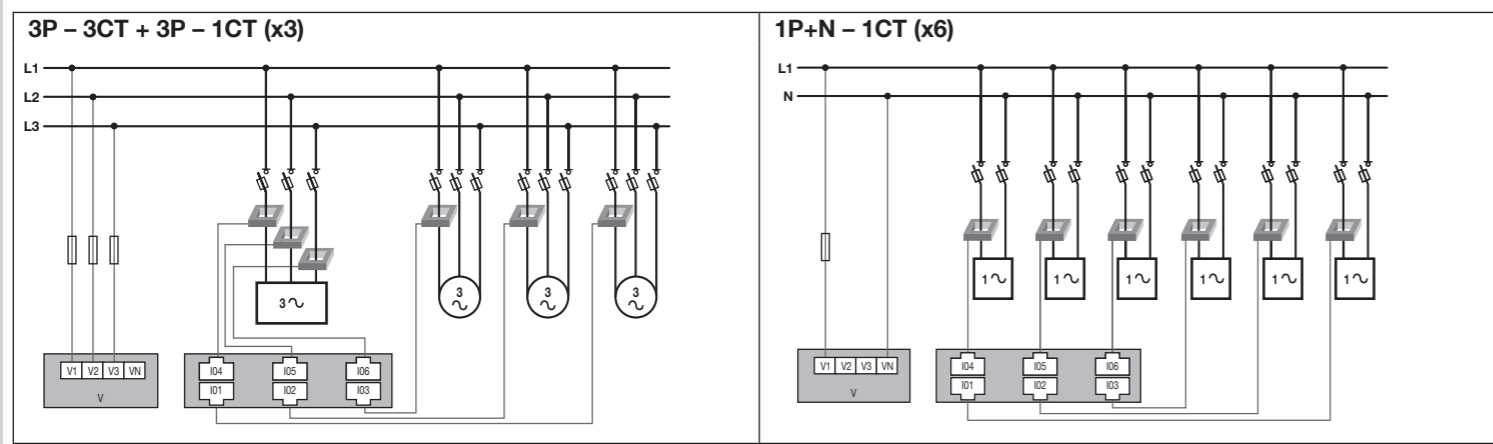
Fuse: 0.5 A gG / BS 88 2A gG / 0.5 A class CC



Main network connections and loads

DIRIS Digiware I-6x

Each current input setting is individual, see below some examples:



6 Configuration

