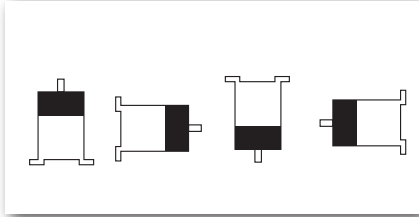
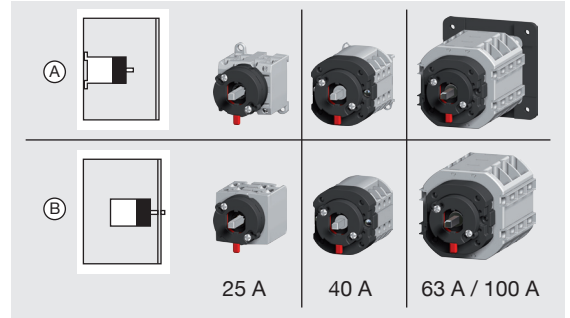




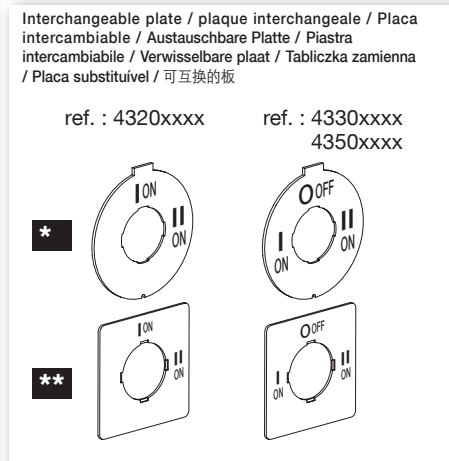
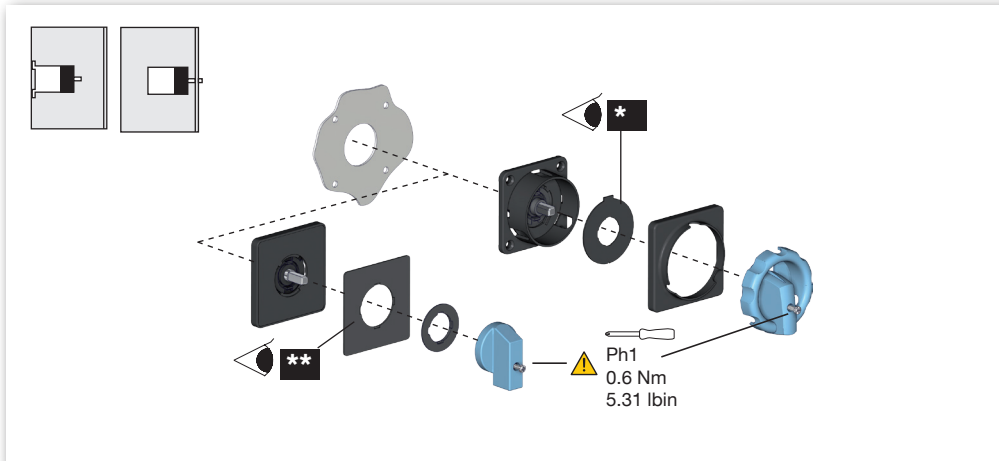
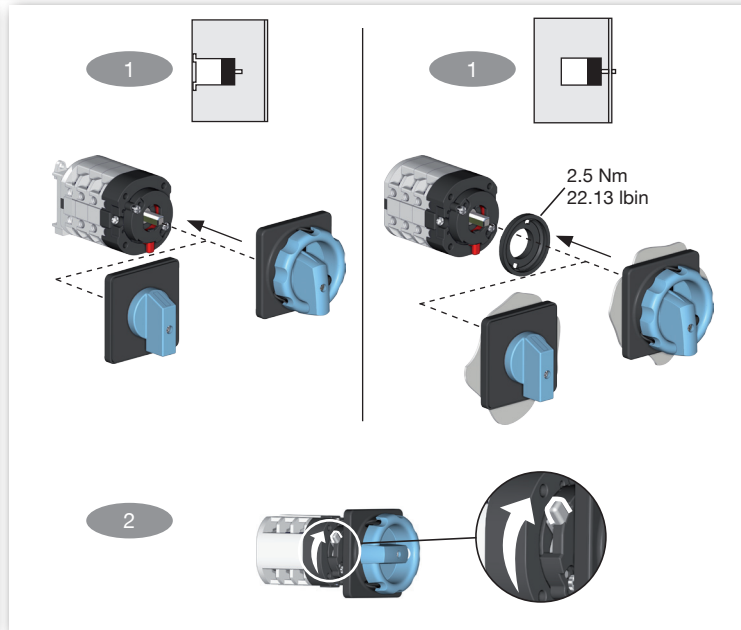
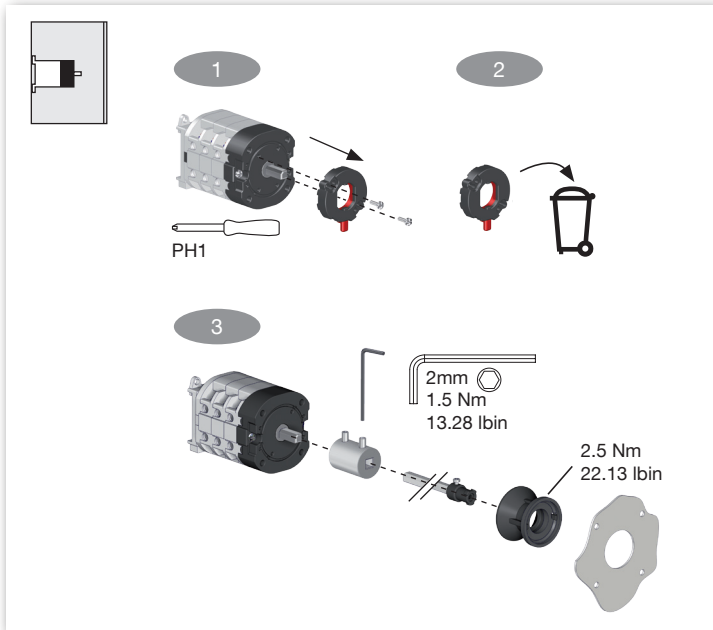
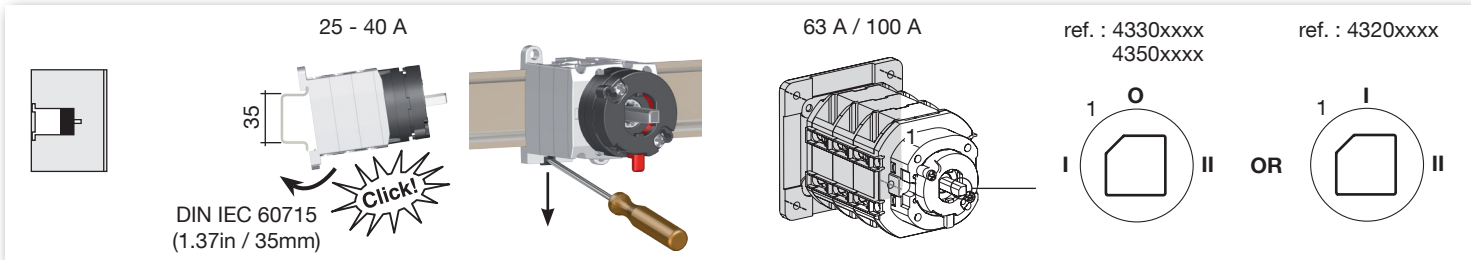
547582B

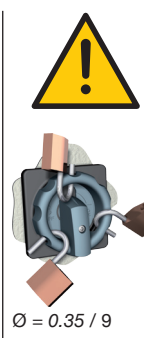
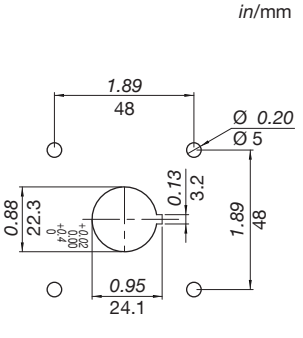
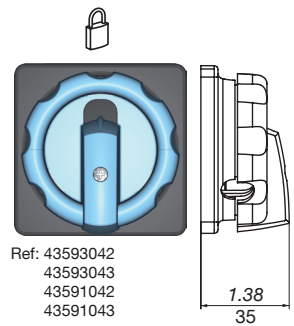
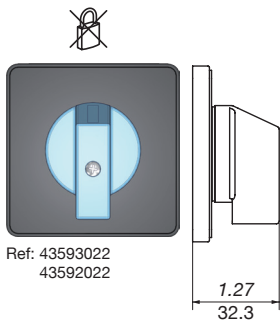
references :	4	3	0
	2	3	0	0	2		
	3	4	1	0	4		
	5			0	6		
					1	0	

①	②	③	④
2 = I - II	3 = 3 P	0 = (A)	02 = 25 A
3 = I - 0 - II	4 = 4 P	1 = (B)	04 = 40 A
5 = Bypass			06 = 63 A
			10 = 100 A



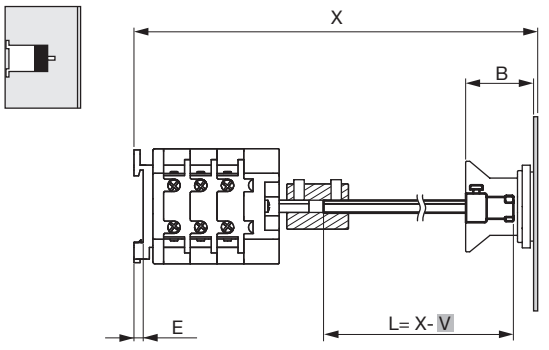
lth (A)	Cu (mm ²)	AWG Cu		(Nm/lbin)	mm / in
25	0.5 ... 4	14-12	PZ2	0.8-1.2 / 7.1 - 10.6	8 ⁺¹ ₋₂ / 0.31 ^{+0.04} _{-0.08}
40	1 ... 10	14-8	PZ2	1.2-1.5 / 10.6 - 13.3	10 ⁺¹ ₋₂ / 0.39 ^{+0.04} _{-0.08}
63	1.5 ... 16	14-4	FLAT 6.5 mm	2.5 / 22.1	13 ⁺² ₋₂ / 0.51 ^{+0.08} _{-0.08}
100	4 ... 35	10-2	PH1	1.5 / 13.3	13 ⁺² ₋₂ / 0.51 ^{+0.08} _{-0.08}



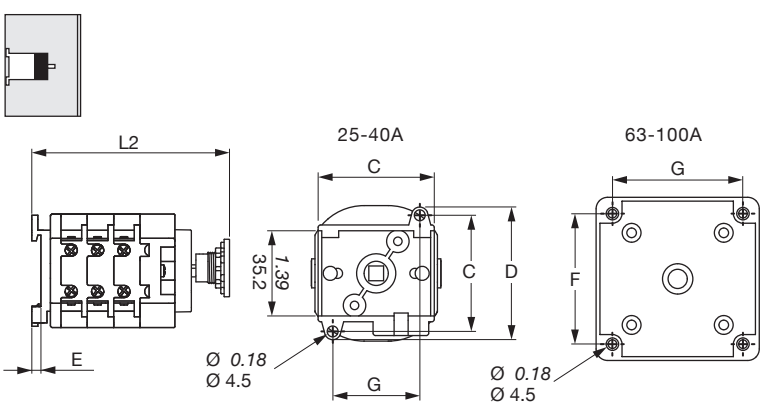


- Hazardous voltage when padlocked in position I
- Tension dangereuse lorsque le produit est cadassé en position I
- Tensión peligrosa cuando se bloquea en posición I
- Gefährliche Spannung, wenn mit Vorhängeschloss in Position I verriegelt
- Tensione pericolosa se lucchettato in posizione I
- Gevaarlijke spanning indien vergrendeld in positie I
- Niebezpieczne napięcie po zablokowaniu w położeniu I
- Tensão perigosa quando bloqueado na posição I
- 挂锁在位置I时的危险电压

Ø = 0.35 / 9

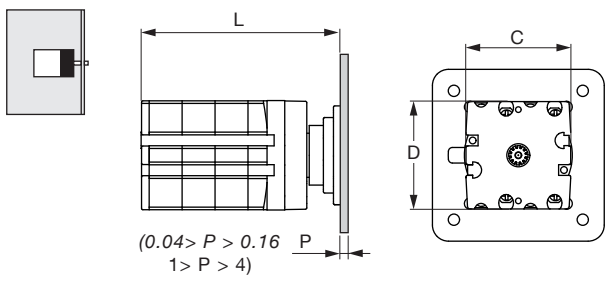


lth (A)	V (in/mm)								E (in/mm)		B (in/mm)	
	1 2 3		1 2 3 4		1 2 3 4 5		1 2 3 4 5 6					
25	3.15	80.1	3.63	92.1	4.10	104.1	4.57	116.1	0.18	4.5	1.24	31.6
40	3.54	90	4.06	103	4.57	116	5.08	129	0.18	4.5	1.24	31.6
63...100	5.06	128.5	5.89	149.5	6.71	170.5	7.54	191.5	-	-	1.24	31.6



lth (A)	L2 (in/mm)								E (in/mm)	
	1 2 3		1 2 3 4		1 2 3 4 5		1 2 3 4 5 6			
25	3.20	81.4	3.68	93.4	4.15	105.4	4.57	116.1	0.18	4.5
40	3.73	94.7	4.28	107.7	4.28	120.7	5.08	129	0.18	4.5
63...100	5.10	129.5	5.97	151.5	6.83	173.5	7.54	191.5	-	-

(A)	C (in/mm)	D (in/mm)	F (in/mm)	G (in/mm)
25	1.89	48	2.2	56
40	1.89	48	2.2	56
63...100	2.99	76	2.99	76



lth (A)	L (in/mm)								C (in/mm)		D (in/mm)	
	1 2 3		1 2 3 4		1 2 3 4 5		1 2 3 4 5 6					
25	3.19	81	3.66	93	4.13	105	4.61	117	1.54	39	1.57	40
40	3.31	84	4.82	97	4.33	110	4.84	123	2.11	53.6	2.2	56
63...100	4.45	113	5.28	134	6.1	155	6.93	176	2.91	74	2.8	71

